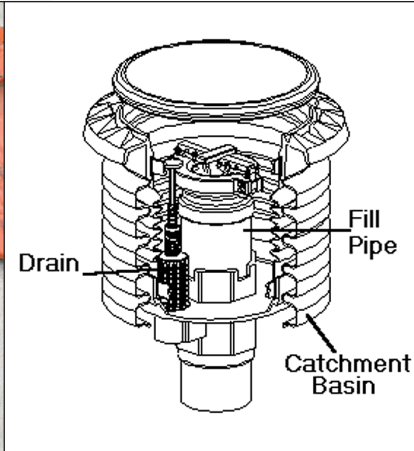


Spill Containment Testing

Vacuum or Volumetric Testing of Spill Buckets

Spill containment buckets are designed to prevent petroleum products from being released into the environment in the event of a spill or overfill. Over time, exposure to fuel and weather can cause containment buckets to deteriorate and become a source of leaks which are often overlooked. Recognizing this possibility, the State of California, in Regulation AB 2481, now requires annual testing of spill containment buckets. According to the regulation, the spill containment bucket must be capable of containing the stored substance until it is detected and cleaned up so that contaminants do not migrate into soils or drinking water.



Innovative

Tanknology has developed an innovative test that verifies that the spill containment buckets continue to perform according to manufacturer specifications and are able to prevent the

release of product into the environment. Utilizing Tanknology's exclusive testing technology provides extremely accurate results at a low cost and without the generation of hazardous waste. Other test methods generate waste by-products that require special handling, resulting in higher test costs. The superior accuracy of Tanknology's testing technology allows for detection of even the smallest leaks in the spill containment bucket that could be missed by other testing technologies.

Results

In the event a spill bucket is found to be breached, Tanknology's cross-trained service technicians quickly repair or replace the component and test the system again, saving time and reducing cost, eliminating the need for a second service provider and additional site disruption. Spill containment testing is just one of the tests offered in the wide array of Tanknology's total compliance solutions for petroleum systems.



To learn more about Spill Containment Testing, or to discuss compliance services for your site, call us today at 1-800-964-1250.



Environmental Compliance for Petroleum Systems

©2009 Tanknology Inc., Austin, TX. All rights reserved. tanknology.com